

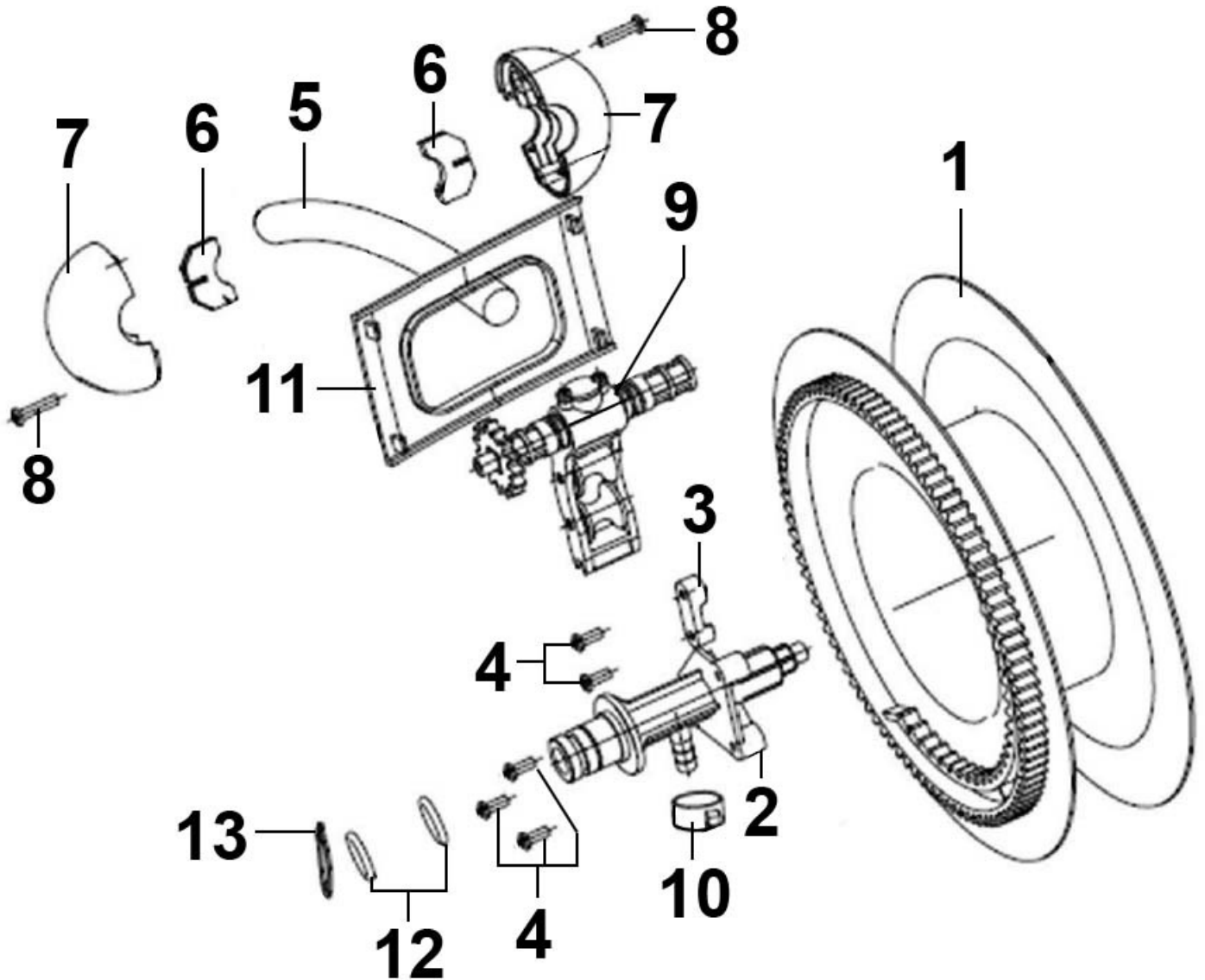
| Item | Part No. | Description |
|------|-------------|---|
| 1 | SA821.V2-01 | Side Cover (Left) |
| 2 | SA821.V2-02 | Screw S/t 4 x 10 |
| 3 | SA821.V2-03 | Washer |
| 4 | SA821.V2-04 | Left Casing Assembly |
| 5 | SA821.V2-05 | Bearing |
| 6 | SA821.V2-06 | Main Spring |
| 7 | SA821.V2-07 | Bracket Support |
| 8 | SA821.V2-08 | Bracket |
| 9 | SA821.V2-09 | Bracket Lock |
| 10 | SA821.V2-10 | Drum Assembly |
| 11 | SA821.V2-11 | Snap Ring |
| 12 | SA821.V2-12 | Positioning Pin (Included With Part 19) |
| 13 | SA821.V2-13 | Positioning Pin (Included With Part 19) |
| 14 | SA821.V2-14 | Gear (Small) |
| 15 | SA821.V2-15 | Gear (Big) |
| 16 | SA821.V2-16 | Guide Pivot |
| 17 | SA821.V2-17 | Pawl |

| Item | Part No. | Description |
|------|-------------|---|
| 18 | SA821.V2-18 | Lock Nut |
| 19 | SA821.V2-19 | Right Casing Assembly (Inc Parts 12 & 13) |
| 20 | SA821.V2-20 | Spring Dia 7.6mm |
| 21 | SA821.V2-21 | Knob, Plastic, |
| 22 | SA821.V2-22 | Bearing |
| 23 | SA821.V2-23 | Hose Inlet Bracket |
| 24 | SA821.V2-24 | Inlet hose |
| 25 | SA821.V2-25 | Pawl Spring Dia 5.7mm |
| 26 | SA821.V2-26 | Inlet Hose bracket |
| 27 | SA821.V2-27 | Screw st4 x 10 |
| 28 | SA821.V2-28 | Side Cover |
| 29 | SA821.V2-29 | Right Side Cover |
| 30 | SA821.V2-30 | Hose Clip |
| 31 | SA821.V2-31 | Screw S/t 4 x 18 |
| 32 | SA821.V2-32 | Screw S/t 3 x 10 |
| -- | SA821.V2-33 | Hose Guide System (Not Shown) |

NOTE: It is our policy to continually improve products and as such we reserve the right to alter data, specifications and component parts without prior notice. There may be alternative versions of this product, please contact us should you require this information.

IMPORTANT: No liability is accepted for incorrect use of product. Spare parts must be fitted by a competent person

WARRANTY: Guarantee is 12 months from purchase date, proof of which will be required for any claim.



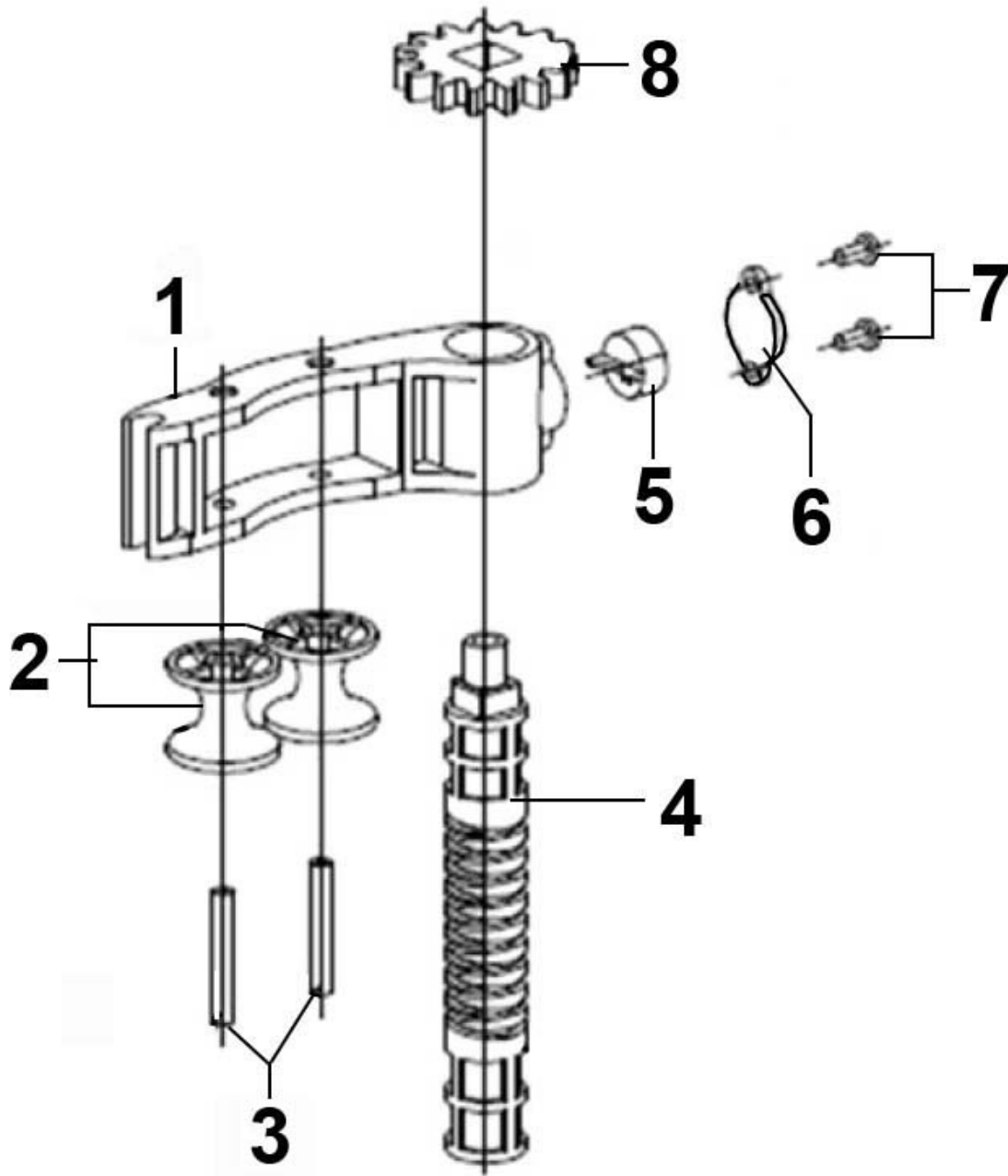
| Item | Part No. | Description |
|------|---------------|-----------------|
| 1 | SA821V2.02-01 | Drum |
| 2 | SA821V2.02-02 | Drum Support |
| 3 | SA821V2.02-03 | Hose Bracket |
| 4 | SA821V2.02-04 | Screw S/t 4x10 |
| 5 | SA821V2.02-05 | Main Hose 10mtr |
| 6 | SA824V2-19 | Bushing |
| 7 | SA821V2.02-07 | Stop Ball |

| Item | Part No. | Description |
|------|---------------|-------------------|
| 8 | SA821V2.02-08 | Screw S/t 4x18 |
| 9 | SA821V2.02-09 | Hose Guide System |
| 10 | SA821V2.02-10 | Hose Clip |
| 11 | SA821V2.02-11 | Front Cover |
| 12 | SA821V2.02-12 | Seal Ring |
| 13 | SA821V2.02-13 | Snap Ring |

NOTE: It is our policy to continually improve products and as such we reserve the right to alter data, specifications and component parts without prior notice. There may be alternative versions of this product, please contact us should you require this information.

IMPORTANT: No liability is accepted for incorrect use of product. Spare parts must be fitted by a competent person

WARRANTY: Guarantee is 12 months from purchase date, proof of which will be required for any claim.



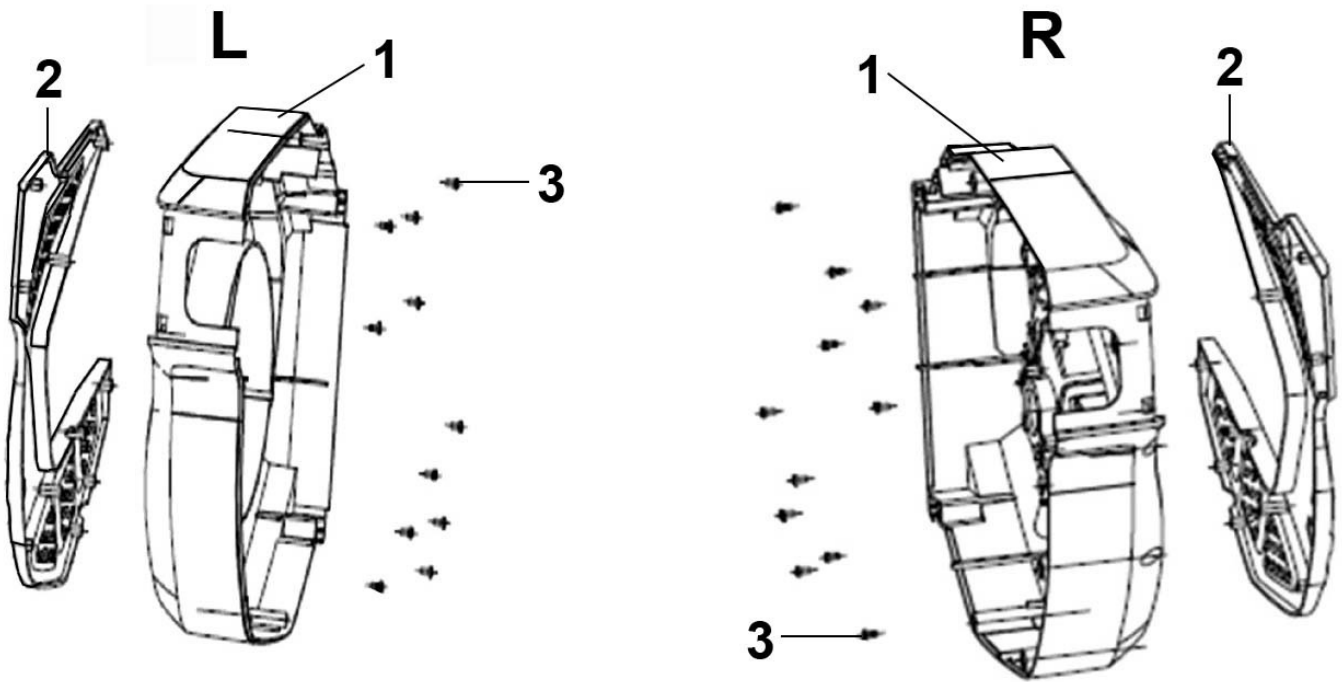
| Item | Part No. | Description |
|------|---------------|-----------------|
| 1 | SA821V2.03-01 | Hose Guide Seat |
| 2 | SA821V2.03-02 | Guide Roller |
| 3 | SA821V2.03-03 | Rivet |
| 4 | SA821V2.03-04 | Threaded Guide |

| Item | Part No. | Description |
|------|---------------|-------------------------------|
| 5 | SA823V2.03-04 | Inverting Block |
| 6 | SA821V2.03-06 | Covering Plate For Seat Block |
| 7 | SA821V2.03-07 | Screw S/t 3x5 |
| 8 | SA821V2.03-08 | Gear Wheel For Threaded Guide |

NOTE: It is our policy to continually improve products and as such we reserve the right to alter data, specifications and component parts without prior notice. There may be alternative versions of this product, please contact us should you require this information.

IMPORTANT: No liability is accepted for incorrect use of product. Spare parts must be fitted by a competent person

WARRANTY: Guarantee is 12 months from purchase date, proof of which will be required for any claim.



| Item | Part No. | Description |
|------|---------------|---------------------|
| 1-L | SA821V2.05-01 | Left Casing |
| 2--L | SA821V2.05-02 | Left Outside Casing |
| 3-L | SA821V2.05-03 | Screw St3x6 |

| Item | Part No. | Description |
|------|---------------|----------------------|
| 1-R | SA821V2.04-01 | Right Casing |
| 2-R | SA821V2.04-02 | Right Outside Casing |

NOTE: It is our policy to continually improve products and as such we reserve the right to alter data, specifications and component parts without prior notice. There may be alternative versions of this product, please contact us should you require this information.

IMPORTANT: No liability is accepted for incorrect use of product. Spare parts must be fitted by a competent person

WARRANTY: Guarantee is 12 months from purchase date, proof of which will be required for any claim.